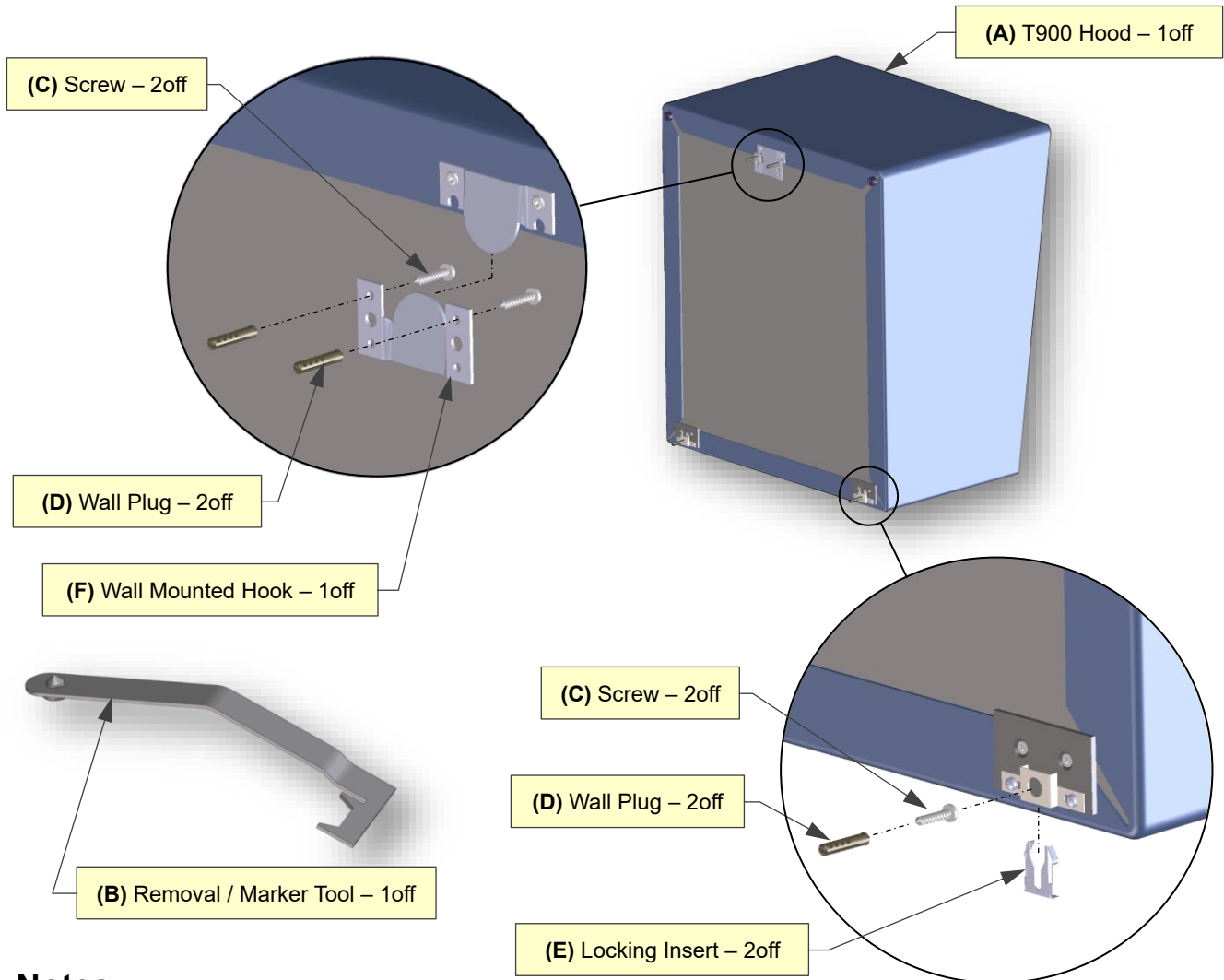




T900 / T700 Hood

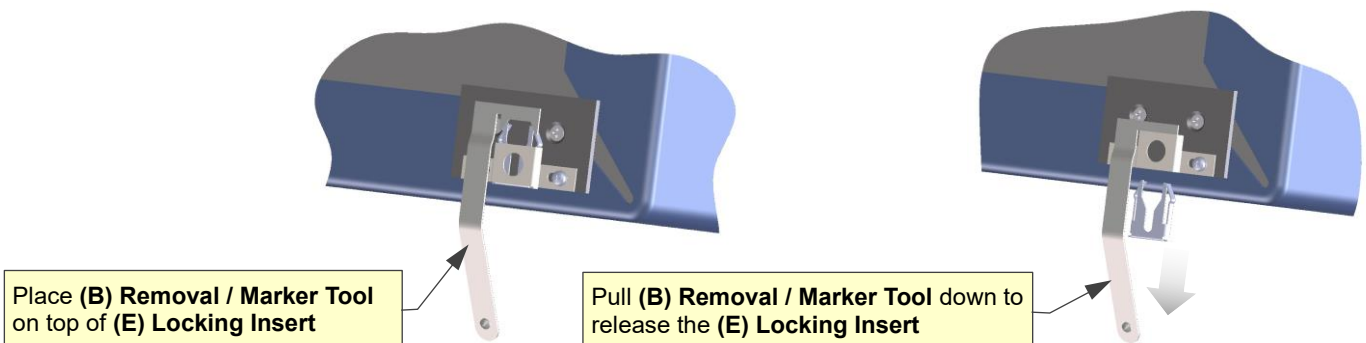
Wall Mounting Instructions

Document No.
9000002
Revision
2



Notes

- Before proceeding, ensure the wall which the **(A) Hood** is to be mounted on is sound, flat and able to support a load of approximately **10kg**.
- The supplied fixings are for a standard brick / block wall and are not universally suitable for other types of mounting locations.
- The 2off **(E) Locking Inserts** provided are fitted into the 2off **Bottom Brackets** attached to the rear of the **(A) Hood**. The **(E) Locking Inserts** must be removed from the **Bottom Brackets**, using the **(B) Removal / Marking Tool**, before the **(A) Hood** is mounted.



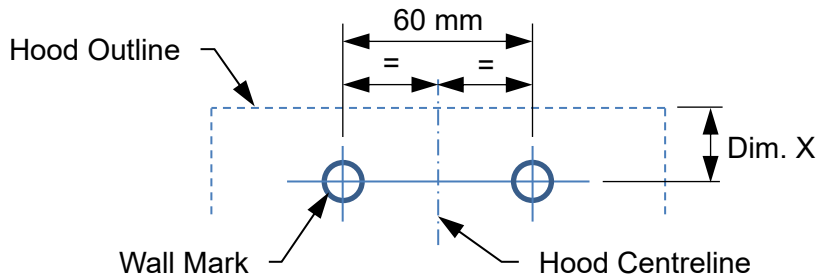


T900 / T700 Hood

Wall Mounting Instructions

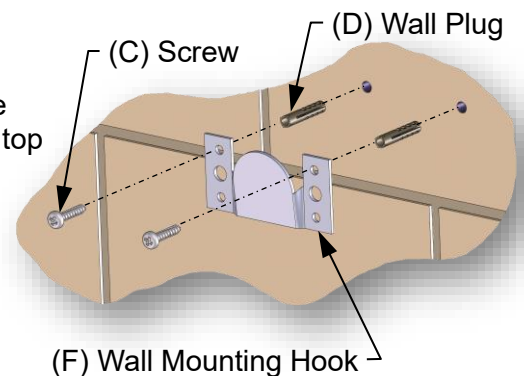
Document No.
9000002
Revision
2

1. Mark the fixing positions for the **(F) Wall Mounting Hook** on the wall, dimension 'X' from the top of the **(A) Hood** and spaced equidistant either side of the **(A) Hood** centreline.

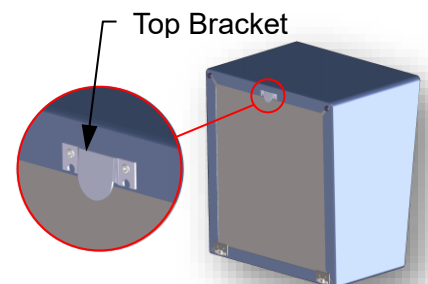


Hood Type	Dim. X
T900	46 mm
T700	68 mm

2. Drill the wall at the marked points to suit the **(D) Wall Plug**. Then, fit the **(D) Wall Plugs** ensuring they are flush with the wall. Place the **(F) Wall Mounting Hook** on the wall so the top set of holes align with the **(D) Wall Plugs**. Drive the **(C) Screws** through the **(F) Wall Mounting Hook** and into the **(D) Wall Plugs**.



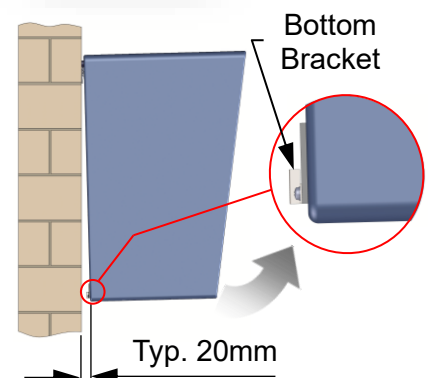
3. Hang the **(A) Hood** on the **(F) Wall Mounting Hook** using the single central **Top Bracket** on the rear of the **(A) Hood**, ensuring the **Top Bracket** is seated properly. **It is recommended that the (A) Hood is lifted by 2 people.**



4. Level the **(A) Hood** on the wall using a spirit level and then have a second person hold the **(A) Hood** in that position.



5. With the second person still supporting the **(A) Hood**, lift the bottom edge of the **(A) Hood** forward a little, to reveal the **Bottom Brackets** on the underside.



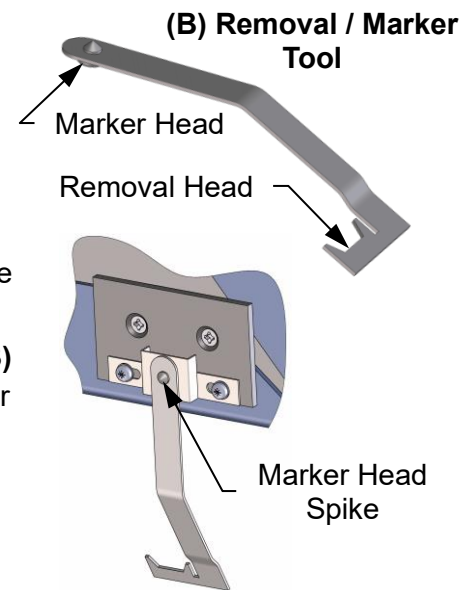


T900 / T700 Hood

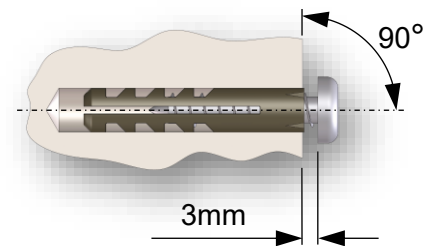
Wall Mounting Instructions

Document No.
9000002
Revision
2

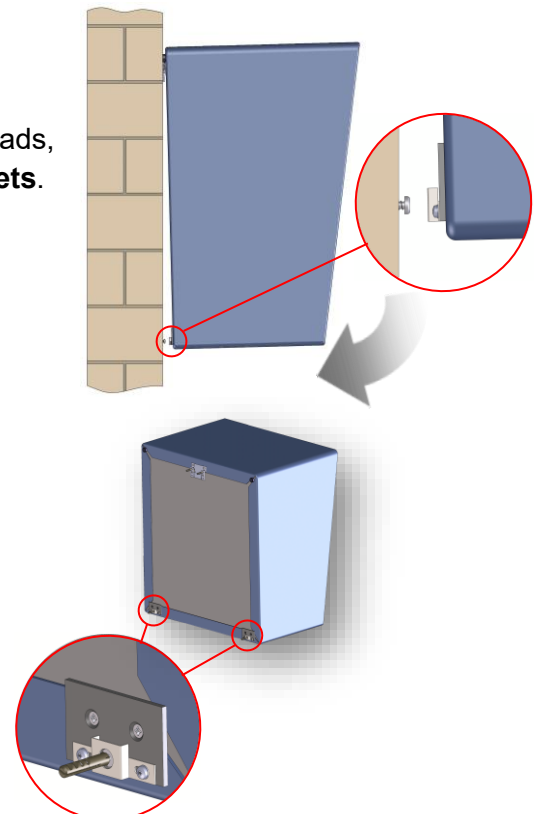
6. Using the **(B) Removal / Marker Tool** supplied, place the round disc of the **Marker Head** into the open hole of the **Bottom Bracket**, so that it is between the **(A) Hood** and the wall with the **Marker Head** spike pointing towards the wall. After ensuring the **(A) Hood** is still hanging level, lower the **(A) Hood** back against the wall. Push firmly on the **(A) Hood** in the area of the **Marker Head Spike** to create a mark on the wall. Without moving the **(A) Hood** sideways, lift the bottom edge of the **(A) Hood** forward a little again, remove the **(B) Removal / Marker Tool** and repeat this process for the other **Bottom Bracket**.



7. When both **Bottom Bracket** positions have been marked, remove the **(A) Hood** from the wall. Accurately drill the 2off marks in the wall and fit the **(D) Wall Plugs** ensuring they are flush with the wall. Drive the **(C) Screws** into the **(D) Wall Plugs**, leaving a gap of around 3mm between the wall and the back of the **(C) Screw's** head. It is important that the **(C) Screws** are driven in squarely in order to locate correctly with the **Bottom Brackets**.



8. Re-hang the **(A) Hood** on the **Top Bracket** and lower the bottom of the **(A) Hood** on to the lower 2off **(C) Screw** heads, which will locate into the holes on the 2off **Bottom Brackets**.



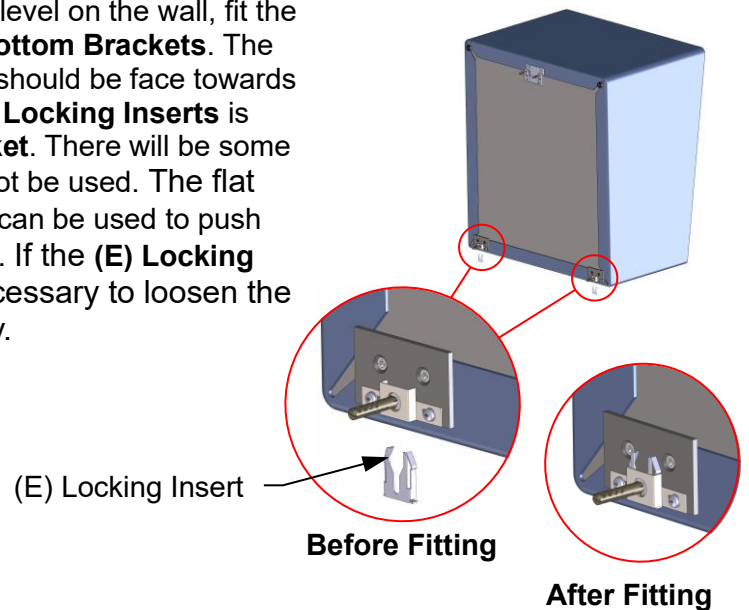


T900 / T700 Hood

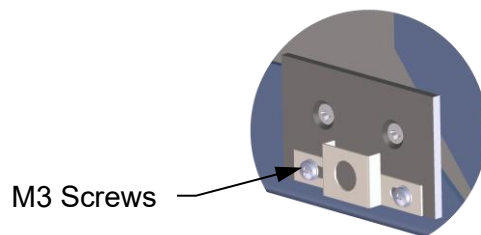
Wall Mounting Instructions

Document No.
9000002
Revision
2

9. When the **(A) Hood** has been mounted level on the wall, fit the 2off **(E) Locking Inserts** into the 2off **Bottom Brackets**. The slotted face of the **(E) Locking Inserts** should be face towards the wall when fitted. Ensure that the **(E) Locking Inserts** is pushed squarely into the **Bottom Bracket**. There will be some resistance but excessive force should not be used. The flat end of the **(B) Removal / Marker Tool** can be used to push the **(E) Locking Inserts** fully in to place. If the **(E) Locking Inserts** will not push in, it may be necessary to loosen the corresponding **(C) Screw** very slightly.



- Once mounting is complete, with caution, you should take hold of the **(A) Hood** at the sides and attempt to lift it up/move it sideways to check it is mounted securely to the wall.
- If the **(A) Hood** has movement at the bottom, use the **(B) Removal / Marker Tool** to remove the **(E) Locking Inserts**, remove the **(A) Hood** from the wall and tighten the **(C) Screws** very slightly to ensure a better fit.
- If when attempting to mount the **(A) Hood** it is found the **(C) Screws** in the wall do not align with the **Bottom Brackets** on the rear of the **(A) Hood**, it is possible to adjust the lateral position of the **Bottom Brackets** by loosening the **M3 Screws** that fix the **Bottom Brackets** to the **(A) Hood**.



- The mounting security of the **(A) Hood** should be routinely checked.
- These instructions also apply to wall mounting the T-POD hood.

